

Installation Manual



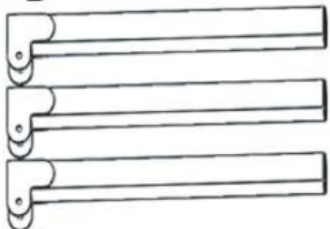




Thank you for choosing the StorEase Utility Racks for Storing timber and long materials.

Engineered for durability and versatility, this innovative system provides a seamless solution for optimising storage in your garage, workshop, or shed. With its straightforward installation process, you'll have your belongings securely stored and easily accessible in no time. Let's begin!

Notes:

- Please review the instructions thoroughly before proceeding with installation.
- StorEase is not liable for any damage or injuries caused by improper installation or exceeding the weight capacity.
- Before installation, verify that the structure can safely support the specified weight capacity.

PARTS LIST

Item	Qty	Description	Image	
A	1	Mounting bar 30x30mm		
B	3	Supporting bar 30x30mm		
C	3	Mounting screw M8x80mm		
D	3	Cross pan head bolt M6x45mm		
E	6	Plastic spacer sticker M6		
F	3	Flat washer M6		
G	3	Lock nut		

TOOLS REQUIRED



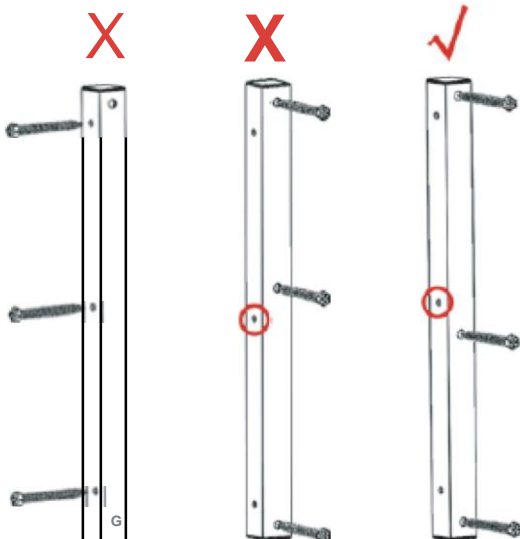
Note: Tools and 6mm Drill Bit Required (Not Included)

Maximum Load Capacity

- Supports up to 25kg per prong, 50kg per shelf level, and a total of 150kg overall.
- Ensure that your mounting location is structurally capable of withstanding the additional load.

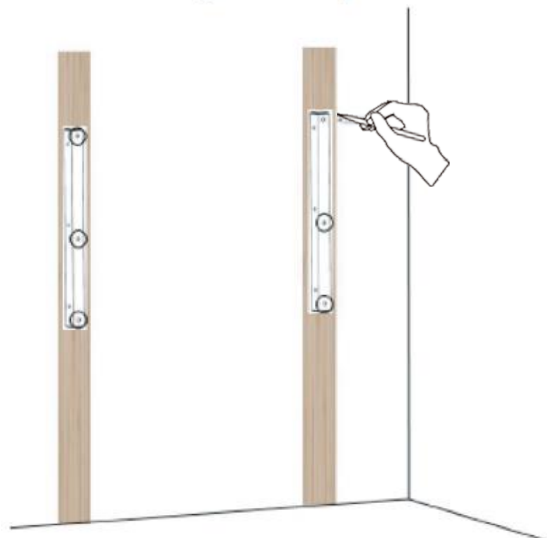
Mounting Bar Alignment

Confirm the mounting bar is properly positioned, ensuring correct facing and vertical orientation before installation.



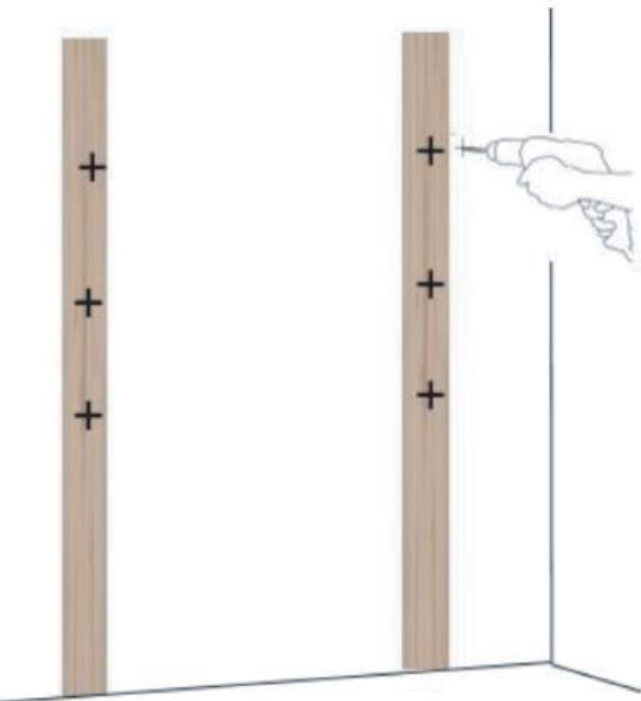
Step 1: Marking Holes and Aligning Levels

Identify the timber stud behind the plaster and draw a vertical line at its center. Mark the hole positions on the wall at the required height and spacing. Ensure both mounting bars are level and properly aligned for accurate installation.



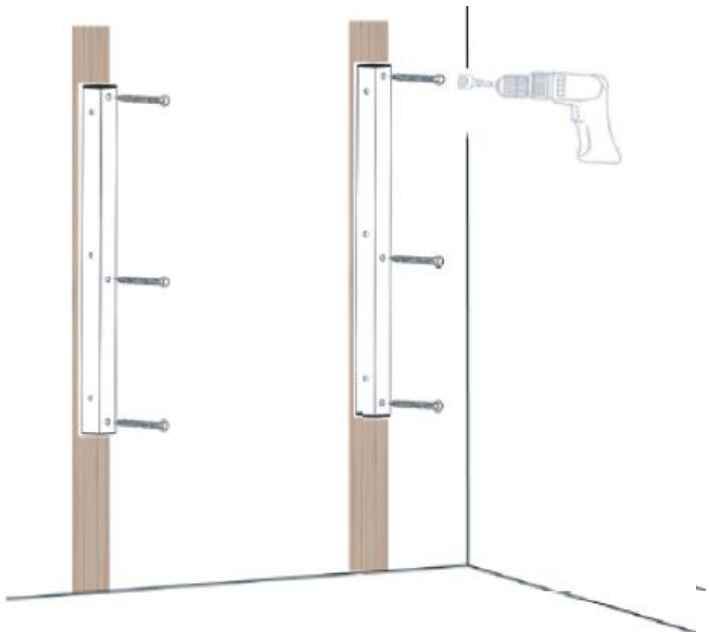
Step 2: Pre-drill

Pre-drill marked holes on the wall.



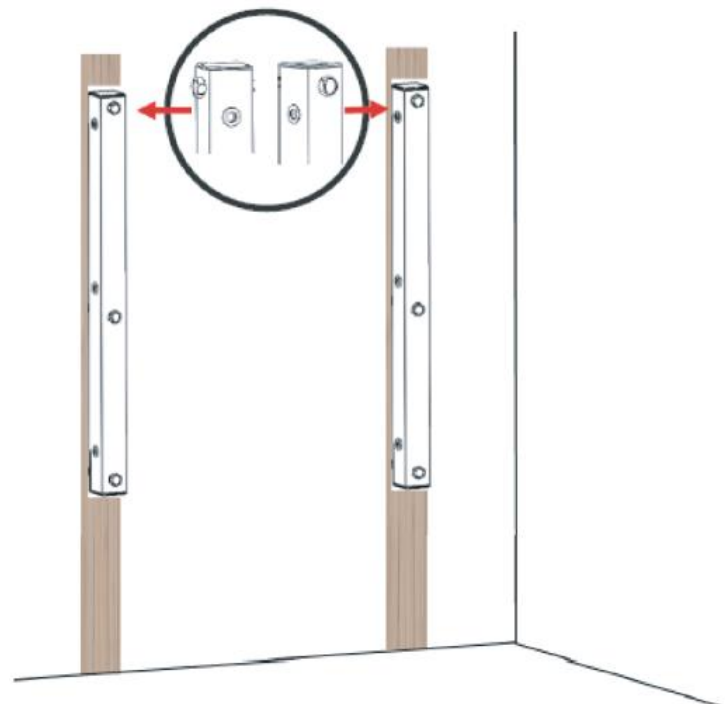
Step 3: Mounting Bars

Attach the mounting bar to the timber stud using the provided screws. Repeat the process for the second bar. For concrete or brick walls, use suitable anchors (not included) to ensure stability and secure support.



Step 4: Spacer Placement

Apply the plastic spacer stickers on both sides to fill and offset any extra gap for a secure fit.



Step 5: Prong/Supporting Bar Assembly

Attach the prongs or supporting bars using the provided fasteners. Repeat this process until all supporting bars are securely assembled.

