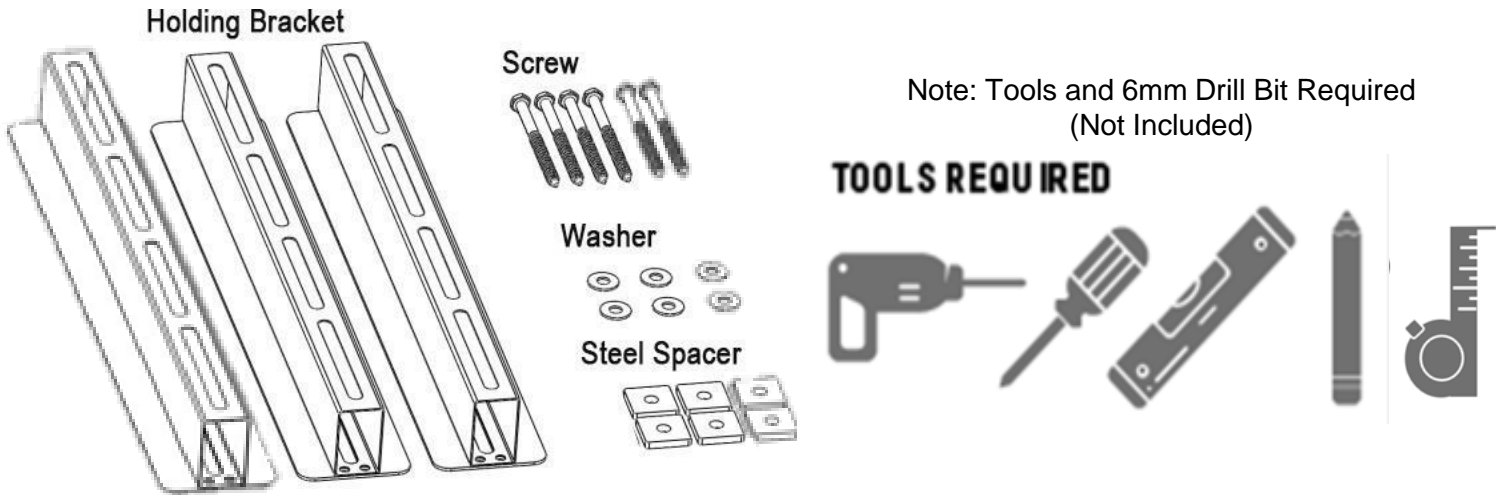


# Installation Guide

Thank you for choosing the StorEase Ceiling Rail for Storage Tub Kit.

Engineered for durability and versatility, this innovative system provides a seamless solution for optimising storage in your garage, workshop, or shed. With its straightforward installation process, you'll have your belongings securely stored and easily accessible in no time. Let's begin!

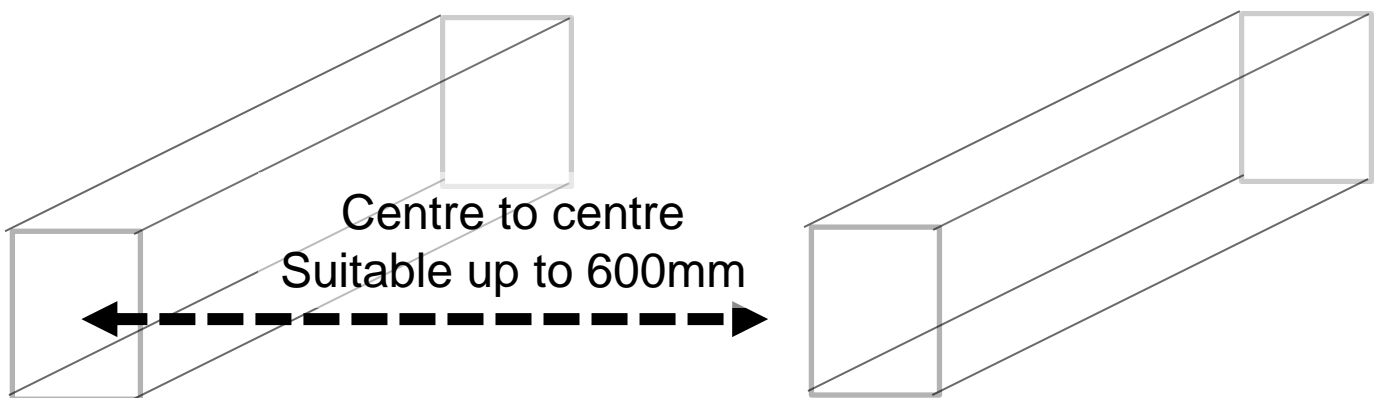


## Notes:

- Please review the instructions thoroughly before proceeding with installation. The ceiling rails are designed to support a maximum weight capacity of 45kg per tub when installed correctly.
- Ensure that all storage bins adhere to the recommended weight limit. StorEase is not liable for any damage or injuries caused by improper installation or exceeding the weight capacity.
- Before installation, verify that the ceiling structure can safely support the specified weight capacity.

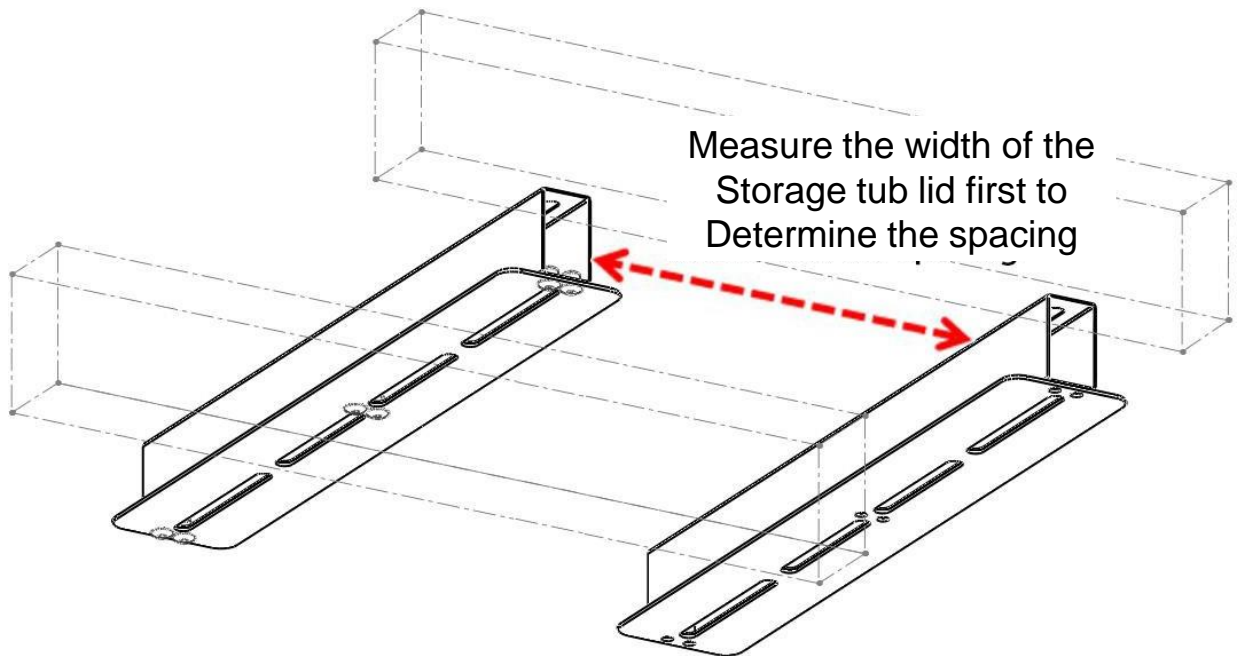
## ● Step 1: Ceiling Joist Location and Measurement

Locate the timber joist. Measure the distance between the centers of the ceiling joists (suitable for 600mm spacing or less) and mark the positions for the mounting holes. Refer to the image below for guidance.



## ● Step 2: Determine Bracket Spacing

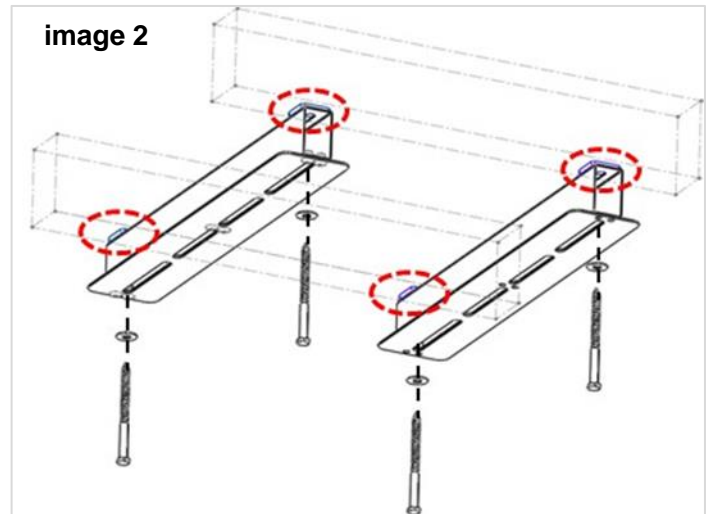
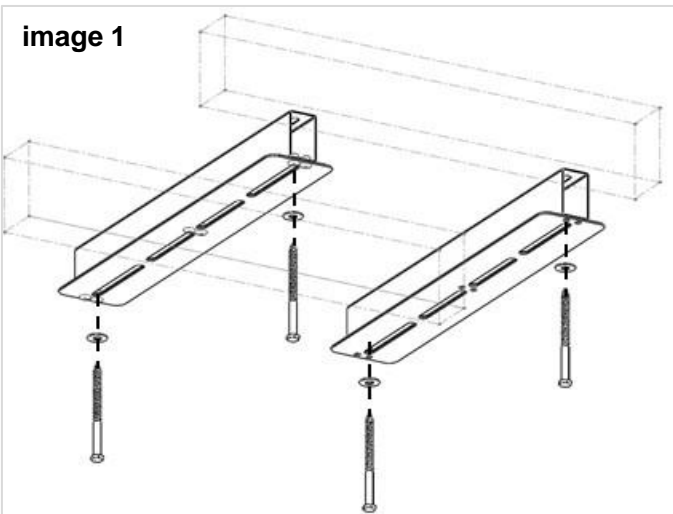
Measure the height of the storage bin lids to establish the appropriate spacing for the holding brackets. Once determined, mark the mounting hole positions accordingly. Refer to the image below for guidance.



- **Step 3: Bracket Installation Instructions**

Using a 6mm drill bit, pre-drill holes in the ceiling at the marked positions. Secure the holding brackets to the ceiling by fastening the provided hex-head screws and washers, as shown in the image below (image 1). If the height of your storage bin lid exceeds the bracket's height, install the provided 4mm spacers to allow proper fitment. Refer to image 2 image for guidance.

**Note:** For installation on cement or brick ceilings, appropriate anchors (not included) must be used.



- **Step 4 Completed Installation Guide**

See the image below for a visual reference of the finished setup and system functionality, ensuring proper installation and use.

